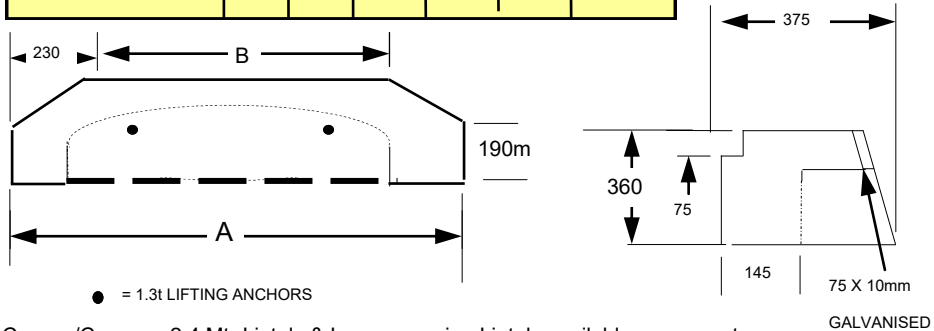


KERBING

DIMENSIONS AND MASSES - KERB INLET UNITS (EKI)

Product Code	L09	L12	L18	L24	L30	L36
NOM. OPENING SIZE	.9mtr	1.2mtr	1.8mtr	2.4mtr	3.0mtr	3.6mtr
A(mm)	1000	1740	2400	3000	3600	4200
B(mm)	885	1300	1740	2500	3000	3600
Approx. Weight (Kgs)	270	430	580	680	780	880

WHEN ORDERING LINTELS THE NOMINAL OPENING SIZE IS USED TO IDENTIFY EACH UNIT

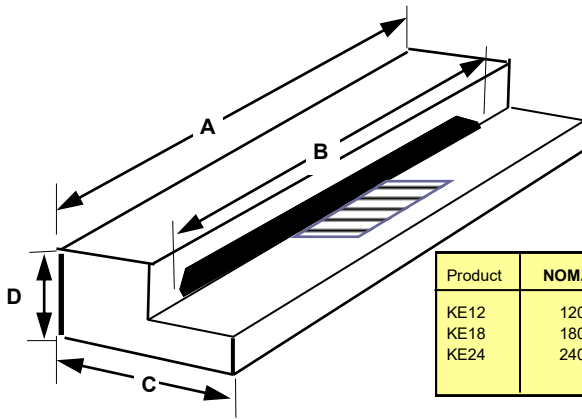


Note: Convex/Concave 2.4 Mtr Lintels & Larger opening Lintels available on request

KERB ENTRY UNITS (With Grate)

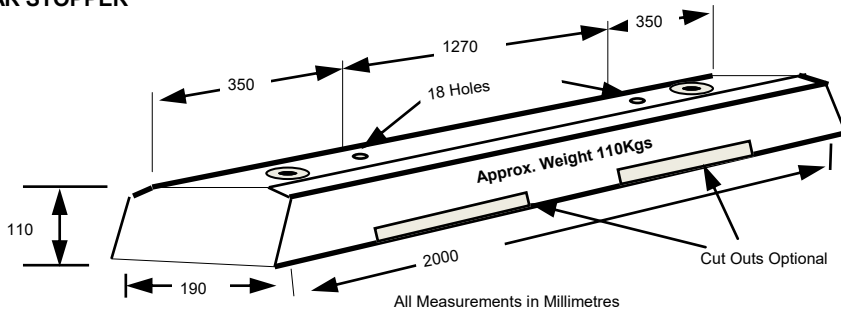
Note: 1800mm & 2400mm Opening

Grate can be located Centrally or towards one end - Left or Right



Product	NOM. OPENING SIZE	A	B	C	D	Mass
KE12	1200mm Opening	1820	1420	890	355	700kg
KE18	1800mm Opening	2430	2030	890	355	850kg
KE24	2400mm Opening	3040	2640	890	355	1150kg

CAR STOPPER



1.3 T Reid swiftlift pins

16mm x 600mm Galvanised bars supplied for hold down